

WALLRACK™

Specifications



Cycle-Safe's Product Line



LOCKERS

The ProPark® bicycle locker from Cycle-Safe is an attractive, pad-mounted modular system that's easy to install, requires minimal maintenance, and provides the ultimate in bicycle security.



CYCLEPORT SHELTERS

A modular bicycle shelter system which features a composite canopy with a tubular frame in contemporary design. May be specified with a variety of side walls and bike racks for weather protected short term use.



U2 RACKS

Cycle-Safe's "inverted U" type bike racks are the leading edge in technology for bike rack parking and offer the best of short-term cycle parking. The inverted U-rack design for two bicycles is widely regarded as the recommended standard for modern bicycles.

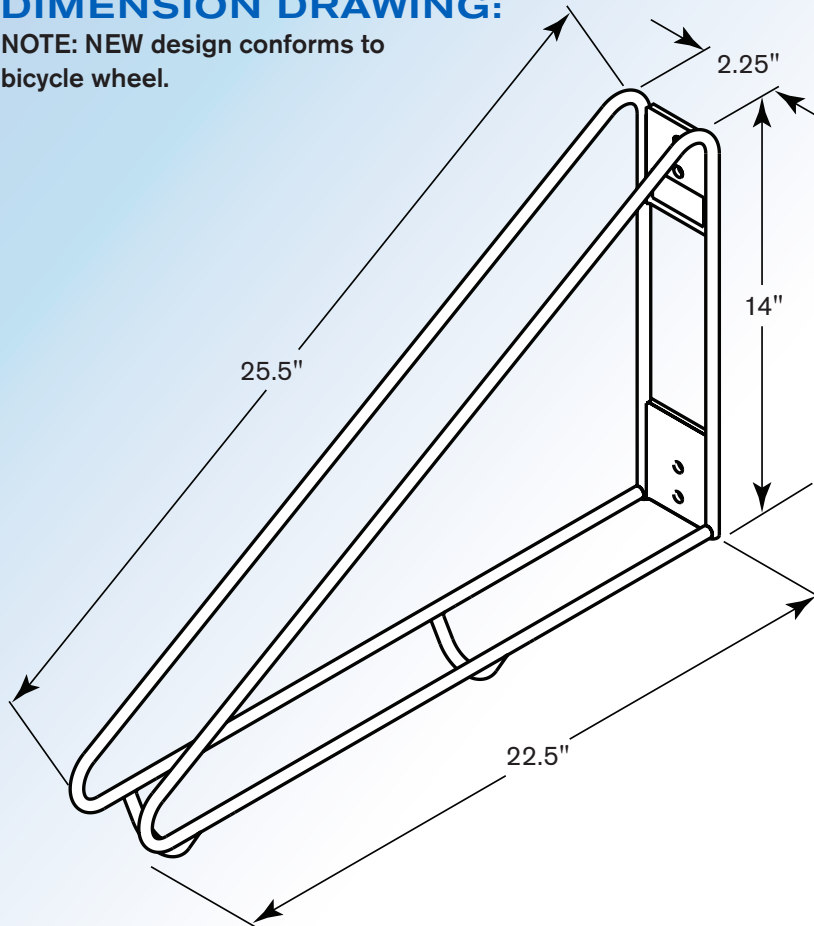


VINTAGE RACKS

Vintage Racks by Cycle-Safe are a novel blend of the old and the new. They capture the charm of traditional ornamental bicycle standards. Vintage Racks were developed in response to urban planners' efforts to recreate historic streetscapes as counterpoints to the hustle and bustle of the modern world.

DIMENSION DRAWING:

NOTE: NEW design conforms to bicycle wheel.



U-Lock compatible to secure bike and frame

Product: CycleSafe Wallrack part# 17502

Capacity: Holds 1 bike

Material: Heavy duty 3/8" wire frame

Finish: Durable polyester powdercoat finish, Red, Blue, Black or Silver, Stainless Steel upon request

Mounting: Wood (furnished): 2 - 5/16" lag wood screws, 12" O.C.
Concrete/Block: 5/16" lag shield upon request

ORDER INFORMATION:

- Wallrack part# 17502 (R)red, (BL)blue, (BK)black, (S)silver
- Extra Mounting lag screw part# 17505
- Concrete lag shield part# 17504
- Stainless Steel Wallrack part# 17503
- 45° Angle bracket kit part# 17513

Ships 1 per box, lag screws and shields included.

Contact us for more information



PH 616.954.9977 FAX 616-954-0290
888.950.6531 CYCLESAFE.COM INFO@CYCLESAFE.COM

©2009 Cycle-Safe, Inc. *Cycle-Safe® and ProPark® are Federally registered trademarks. Printed on recycled paper.

LR4.1.015
Rev. 8.24.16



A SPACE SAVING & SIMPLE BIKE STORAGE SYSTEM



The vertical storage system is space efficient, parking the bike against the wall which opens up floor space and allows easy accessibility

Cycle-Safe Wallrack™ System:

Wallrack™ System holds (1) bike with built-in locking capability, a secure and economical solution for storing bikes. The Wallrack vertical storage system is space efficient, parking the bike against a wall which opens up floor space while allowing easy accessibility. The versatile Wallrack design is suitable for indoor or outdoor use, available in four polyester powdercoat finishes or stainless steel.

The old "J" hooks create stress on the wheelsets of bike rims found on today's bicycles. Wallrack supports the bikes' front wheel in a configuration that avoids damage, while allowing the use of a cyclist's lock to secure the frame and wheel to the rack.

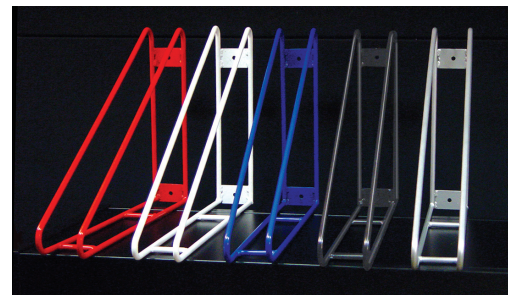
Simply roll the bike up to the Wallrack and place the front end of the bike and its front wheel within the rack. This easily allows the use of a variety of locks and ability to attach gear.

FEATURES & BENEFITS

- Heavy duty 3/8" steel wire frame.
- Two mounting holes 12" apart for 5/16" dia. lag screw type fasteners 16" O.C., 12" offset to allow for handlebar clearance.
- Two tamper resistant 5/16" lag screws are included.
- 5/16" lag shield for concrete installations are included.
- Create additional space efficiency with 45° angle kit.
- Durable polyester powdercoat finish in several standard colors, silver, black, red, blue, or stainless steel finish.
- Wallrack allows attachment of other bicycle gear such as helmets, gloves or other accessories.
- Protects the bike frame and finish.
- Allows clearance for pedestrian pathways or storage.
- Custom colors available upon request.
- Easy to install, simple to use.

MULTIPLE MOUNTING OPTIONS

- Mounting Wallrack to wall studs on 16" centers is typical.
- Combine Wallrack with 45° angle mounting brackets to increase pedestrian walkways.
- Transit Rack System available with stability strap mounted on a sturdy galvanized frame.
- Contact Cycle-Safe for additional multiple mounting options.



Available in several standard colors to coordinate with existing color schemes. See dimension art on back which shows NEW design which conforms to bike.



PH 616.954.9977 FAX 616-954-0290
888.950.6531 CYCLESAFE.COM INFO@CYCLESAFE.COM

©2009 Cycle-Safe, Inc. *Cycle-Safe® and ProPark® are Federally registered trademarks.

